



KEY NOTES

- 1 BOULDERS, TYPE TBD
- 2 LOG STUMPS
- 3 9 FT SINGLE ZIG ZAG EMBANKMENT SLIDE, MODEL # PEL011
- 4 CONCRETE TUNNEL
- 5 9 FT HIGH INSTITUTIONAL TEAM SWING, MODEL # PSWITSWSPB
- 6 4' MULCH TRAIL
- 7 HERITAGE 6' BENCH, MODEL #JPAB6
- 8 6" PVC PERFORATED PIPE
- 9 UAF-200 FLAT TOP FENCE, 4' HEIGHT
- 10 4' GATE, TYPE TBD
- 11 PLANTING AREA (DESIGNED BY LANARC)

LEGEND

ENGINEERED WOOD FIBER MULCH

SOD

MULCH

GRAVEL PLAY

14 GAUGE ROLL TOP STEEL EDGING BETWEEN TRAIL AND PLANTING BEDS, AS SHOWN

MATERIAL TAKEOFFS

ITEM	DESCRIPTION	QTY	UNITS
SLIPFORM CONCRETE EDGING	REFER TO DETAILS	1031	LF
TRAIL MULCH	REFER TO DETAIL	1,788	SF
PLAYGROUND ENGINEERED WOOD FIBER MULCH	12" DEPTH MIN., REFER TO DETAIL	2,309	SF
GRAVEL PLAY	6" DEPTH, REFER TO DETAIL	82	SF
TURF	TYPE TBD, REFER TO PLANS BY LANARC	18,240	SF
POLLINATOR PLANTING AREAS	REFER TO PLANS TO BY LANARC	271	SF
FENCE	REFER TO DETAIL	636.50	LF
4' ENTRY GATE	REFER TO DETAIL-TBD	4	EA
6" PVC PERFORATED PIPE	REFER TO PLAN	103	LF
BOULDERS, TYPE TBD	REFER TO PLAN AND DETAIL	77	LF
CONCRETE (FOR BENCH)	REFER TO PLAN, STANDARD 4"	72	SF

NOTES:

1. ALL PLANTING SHOWN IS PROPOSED. PLANTING PLAN TO BE DESIGNED BY LANARC LANDSCAPE ARCHITECTURE.
2. TURF TYPE TO BE DETERMINED. SQUARE FOOTAGE IS CALCULATED ON AREA WITHIN EXTENTS OF FENCING LIMITS.
3. CONTRACTOR TO DETERMINE SLOPE OF HILL AND ADD FILL TO MEET SLOPE REQUIREMENTS OF EMBANKMENT SLIDE AS NECESSARY.

CHECKED BY: SSB
DRAWN BY:



BRIGHTON RIDGE ECHO PLAYSPACE
RALEIGH, NC

OWNER:
TAYLOR MORRISON

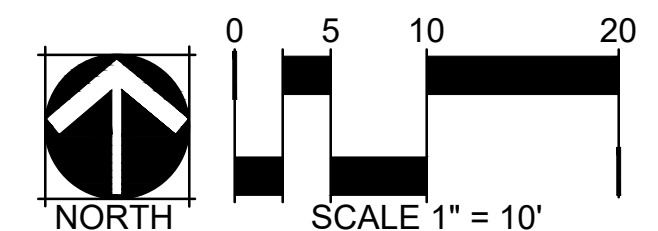


DATE:
12.20.21
01.31.22

SHEET TITLE:

SITE LAYOUT

L1.0

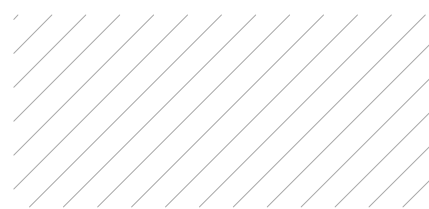
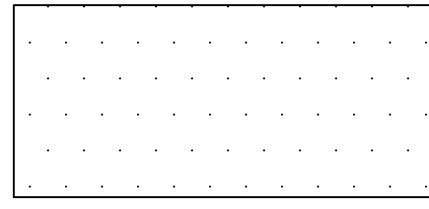
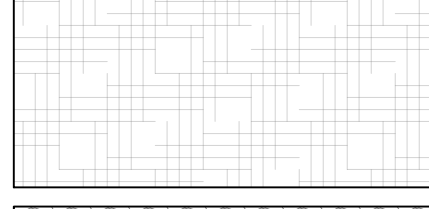
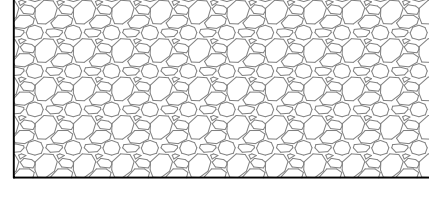





KEY NOTES

- 1 BOULDERS, TYPE TBD
- 2 LOG STUMPS
- 3 9 FT SINGLE ZIG ZAG EMBANKMENT SLIDE, MODEL # PEL011
- 4 CONCRETE TUNNEL
- 5 9 FT HIGH INSTITUTIONAL TEAM SWING, MODEL # PSWITSWSPB
- 6 4' MULCH TRAIL
- 7 HERITAGE 6' BENCH, MODEL #JPAB6
- 8 6" PVC PERFORATED PIPE
- 9 UAF-200 FLAT TOP FENCE, 4' HEIGHT
- 10 4' GATE, TYPE TBD
- 11 PLANTING AREA (DESIGNED BY LANARC)

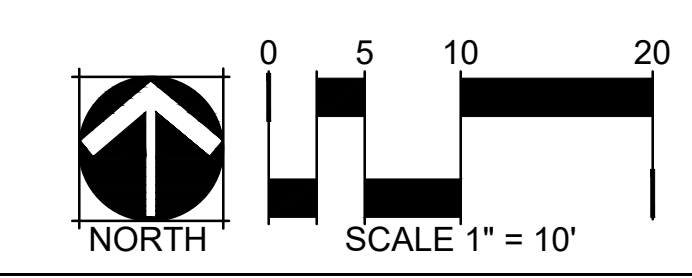
LEGEND

-  ENGINEERED WOOD FIBER MULCH
-  SOD
-  MULCH
-  GRAVEL PLAY
-  14 GAUGE ROLL TOP STEEL EDGING BETWEEN TRAIL AND PLANTING BEDS, AS SHOWN

NOTES:

- 1. CONTRACTOR TO PROVIDE ALTERNATES FOR 6" SLIPFORM CONCRETE EDGING AROUND TRAILS. 8" SLIPFORM CONCRETE EDGING IS REQUIRED AROUND ENGINEERED WOOD FIBER. TAYLOR MORRISON TO ADVISE BASED ON BUDGET AND AESTHETICS.
- 1.1. ALTERNATE 1: 14 GAUGE ROLLED TOP STEEL EDGING
- 1.2. ALTERNATE 2: SPADE CUT EDGE, FINE GRADE

CHECKED BY: SSB
DRAWN BY:



BRIGHTON RIDGE ECHO PLAYSPACE
RALEIGH, NC

OWNER:
TAYLOR MORRISON



DATE:
12.20.21
01.31.22

SHEET TITLE:
DIMENSIONS
LAYOUT

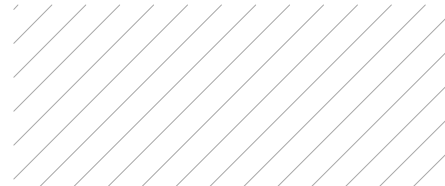
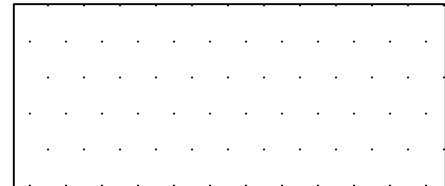
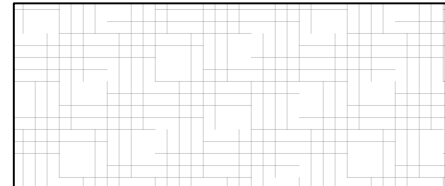
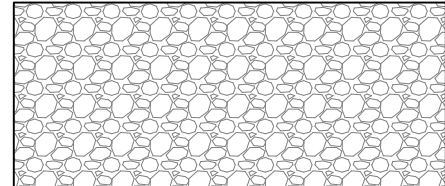

L1.1



KEY NOTES

- 1 BOULDERS, TYPE TBD
- 2 LOG STUMPS
- 3 9 FT SINGLE ZIG ZAG EMBANKMENT SLIDE, MODEL # PEL011
- 4 CONCRETE TUNNEL
- 5 9 FT HIGH INSTITUTIONAL TEAM SWING, MODEL # PSWITSWSPB
- 6 4' MULCH TRAIL
- 7 HERITAGE 6' BENCH, MODEL #JPAB6
- 8 6" PVC PERFORATED PIPE
- 9 UAF-200 FLAT TOP FENCE, 4' HEIGHT
- 10 4' GATE, TYPE TBD
- 11 PLANTING AREA (DESIGNED BY LANARC)

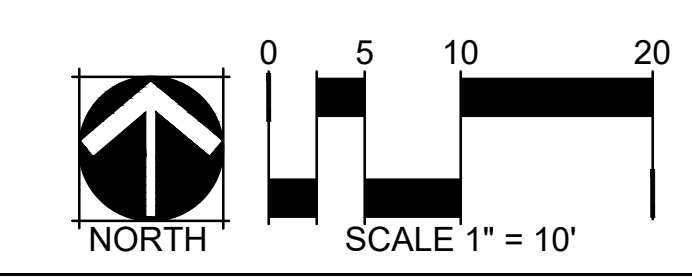
LEGEND

-  ENGINEERED WOOD FIBER MULCH
-  SOD
-  MULCH
-  GRAVEL PLAY
-  14 GAUGE ROLL TOP STEEL EDGING BETWEEN TRAIL AND PLANTING BEDS, AS SHOWN

NOTES:

1. VERIFY LOCATION OF EXISTING CATCH BASIN IN FIELD. LOCATION ON PLAN HAS NOT BEEN VERIFIED.
2. 6" PVC PERFORATED PIPE INSTALLED IN AGGREGATE BASE BELOW ENGINEERED WOOD FIBER AND MULCH. PIPE TO DRAIN INTO CATCH BASIN. CONTRACTOR TO DETERMINE APPROPRIATE DEPTH OF PIPES. SEE DETAIL.
3. GRADE BASE TO DRAIN INTO PIPES. TOP OF EWF AND MULCH SHOULD BE FLAT AND MEET TOP OF CURB.

CHECKED BY: SSB
DRAWN BY:



BRIGHTON RIDGE ECHO PLAYSPACE
RALEIGH, NC

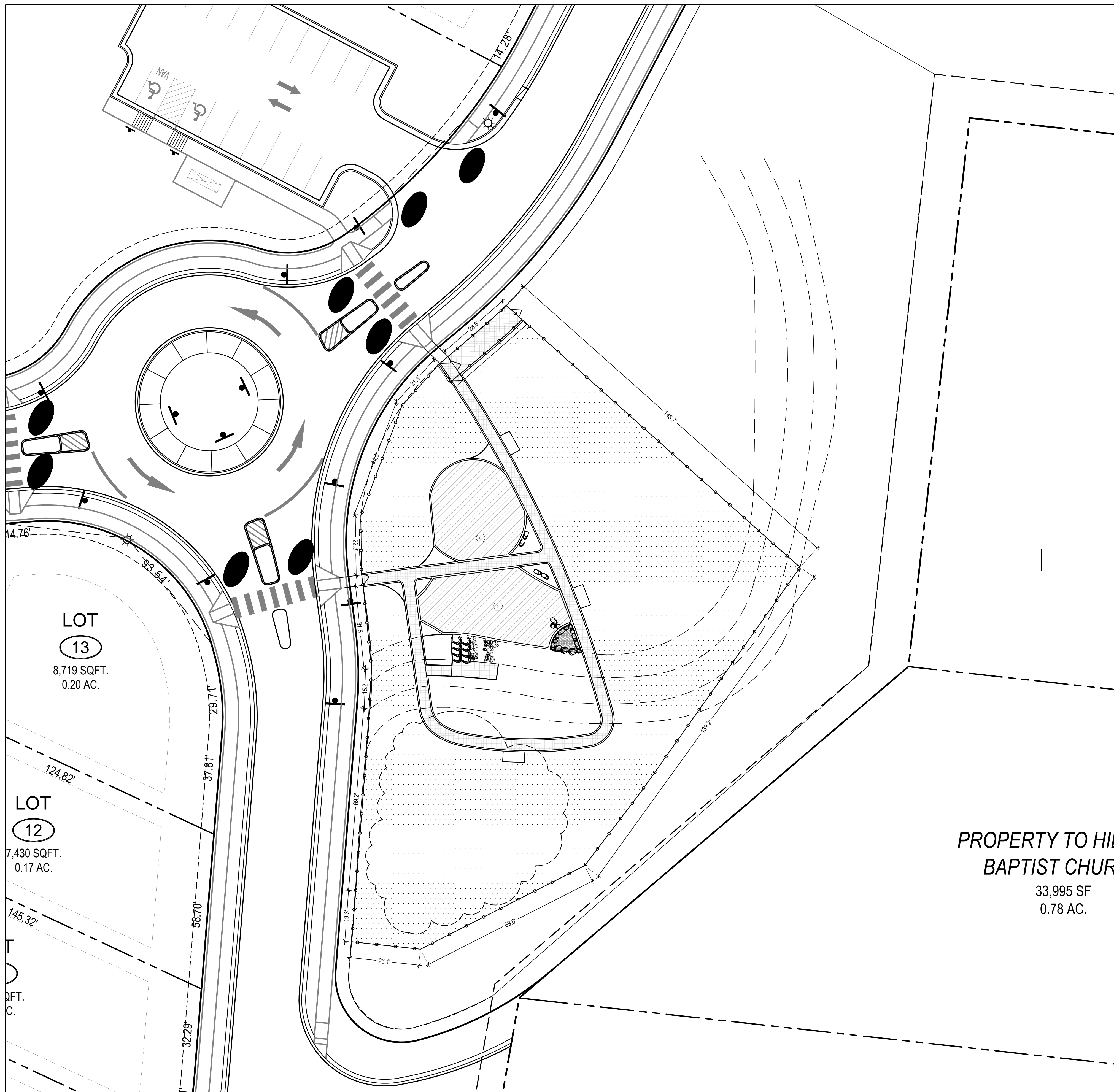
OWNER:
TAYLOR MORRISON



DATE:
12.20.21
01.31.22

SHEET TITLE:
DRAINAGE LAYOUT


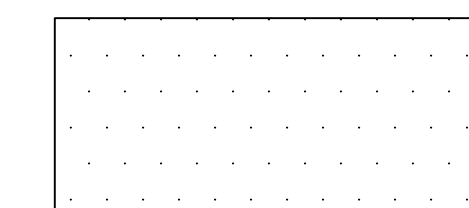
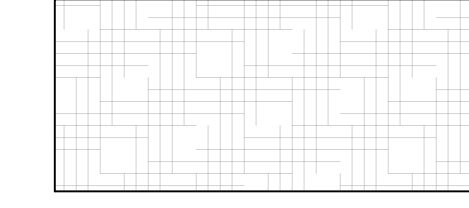
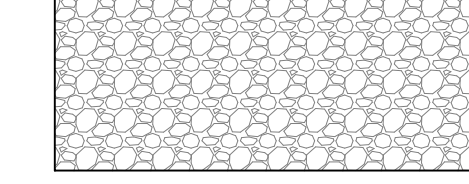
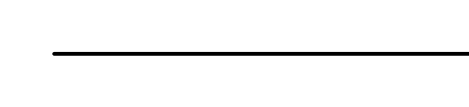
L1.2



KEY NOTES

- 1 BOULDERS, TYPE TBD
- 2 LOG STUMPS
- 3 9 FT SINGLE ZIG ZAG EMBANKMENT SLIDE, MODEL # PEL011
- 4 CONCRETE TUNNEL
- 5 9 FT HIGH INSTITUTIONAL TEAM SWING, MODEL # PSWITSWSPB
- 6 4' MULCH TRAIL
- 7 HERITAGE 6' BENCH, MODEL #JPAB6
- 8 6" PVC PERFORATED PIPE
- 9 UAF-200 FLAT TOP FENCE, 4' HEIGHT
- 10 4' GATE, TYPE TBD
- 11 PLANTING AREA (DESIGNED BY LANARC)

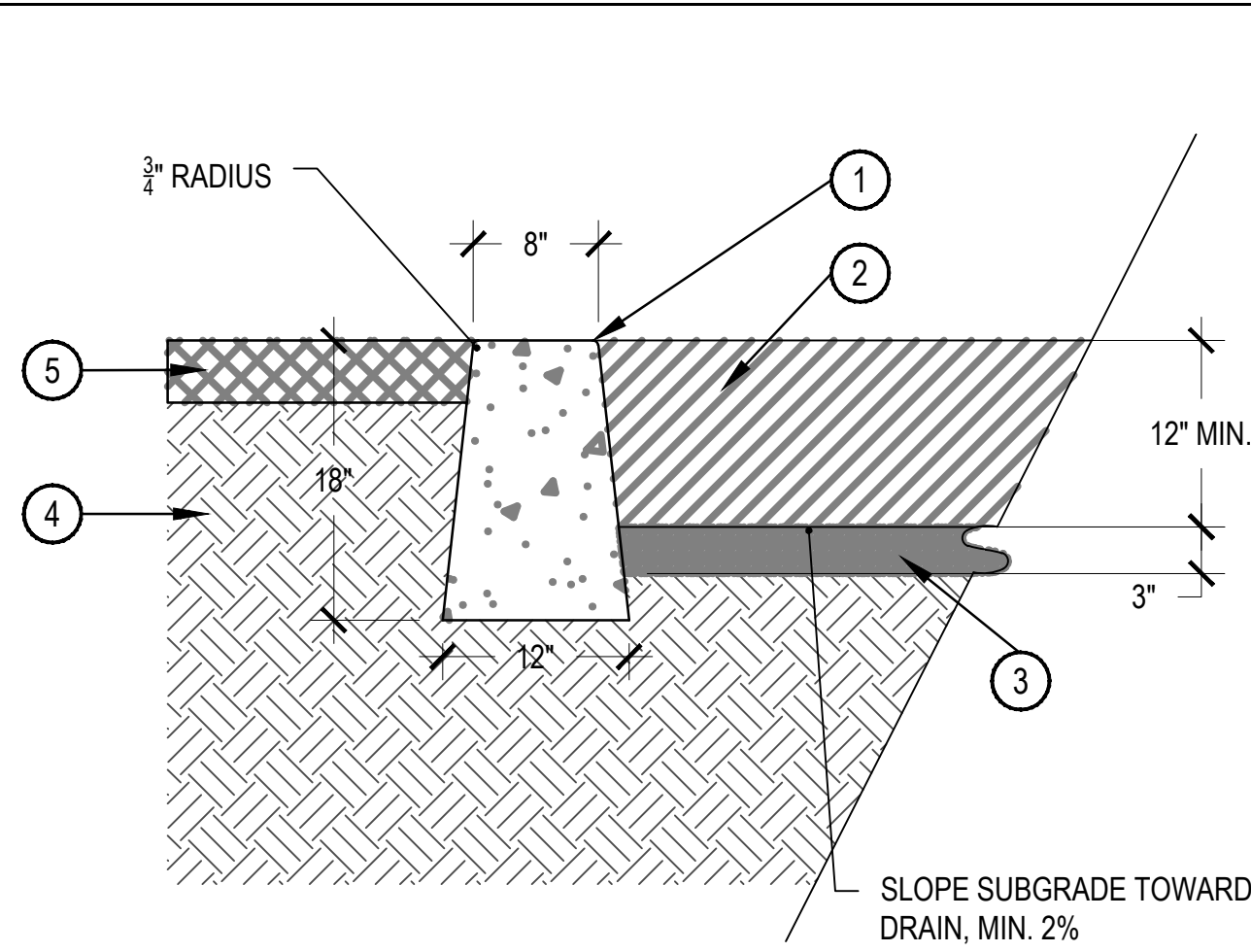
LEGEND

-  ENGINEERED WOOD FIBER MULCH
-  SOD
-  MULCH
-  GRAVEL PLAY
-  14 GAUGE ROLL TOP STEEL EDGING BETWEEN TRAIL AND PLANTING BEDS, AS SHOWN

PROPERTY TO HIL
BAPTIST CHUR
33,995 SF
0.78 AC.

NOTES:

- 1. VERIFY DIMENSIONS AND LOCATION IN FIELD. TAYLOR MORRISON AND CONTRACTOR TO CONFIRM.



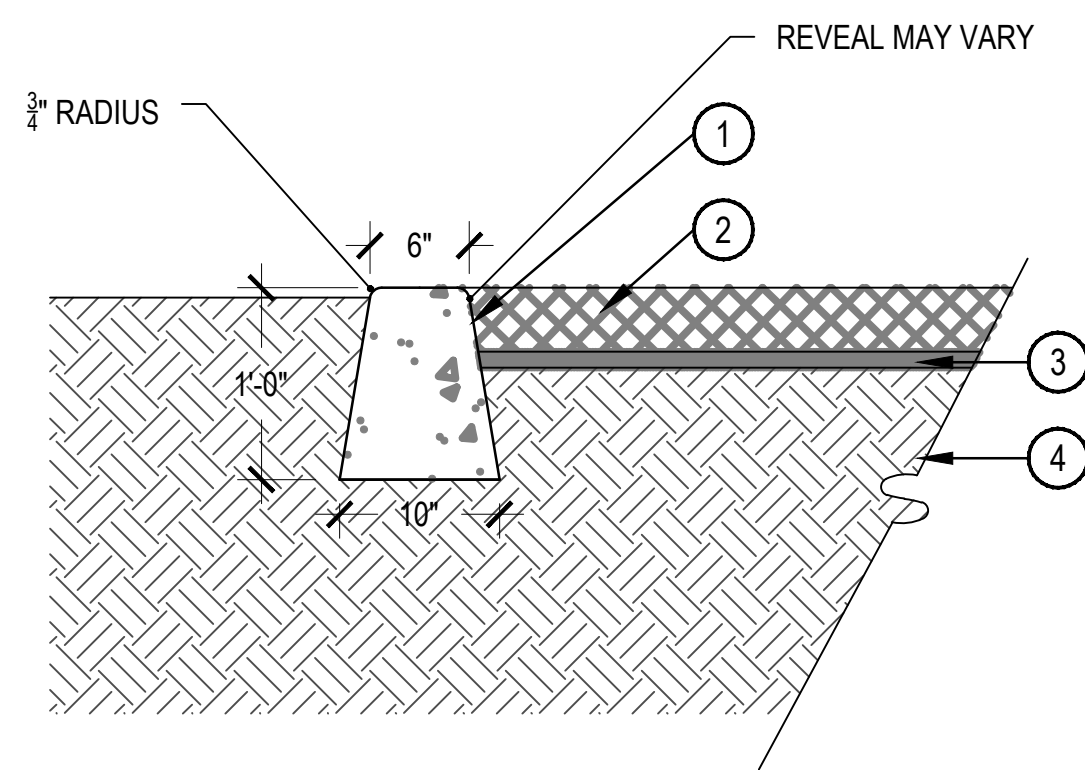
- ① VERTICAL "SLIP-FORMED" C.I.P. CONCRETE CURBING
- ② ENGINEERED WOOD FIBER PLAYGROUND SURFACING
- ③ 3" LAYER COURSE WASHED GRAVEL, MIN. 3/4" DIAMETER. FILTER FABRIC ABOVE AND BELOW.
- ④ COMPACTED SUBGRADE
- ⑤ 4" MULCH

NOTES:

1. CONCRETE EDGE SHOWN FOR AREAS SURROUNDING EWF SURFACING.
2. CONCRETE SUPPLIER TO VERIFY AND/OR SPECIFY SLIPFORM CONCRETE DETAIL.
3. CONTRACTOR TO EXCAVATE PLAYGROUND AREA TO FULL DEPTH OF PLAYGROUND BORDER.

1 VERTICAL SLIPFORM CURB - PLAYGROUND EDGE

SCALE: 1" = 1'-0"



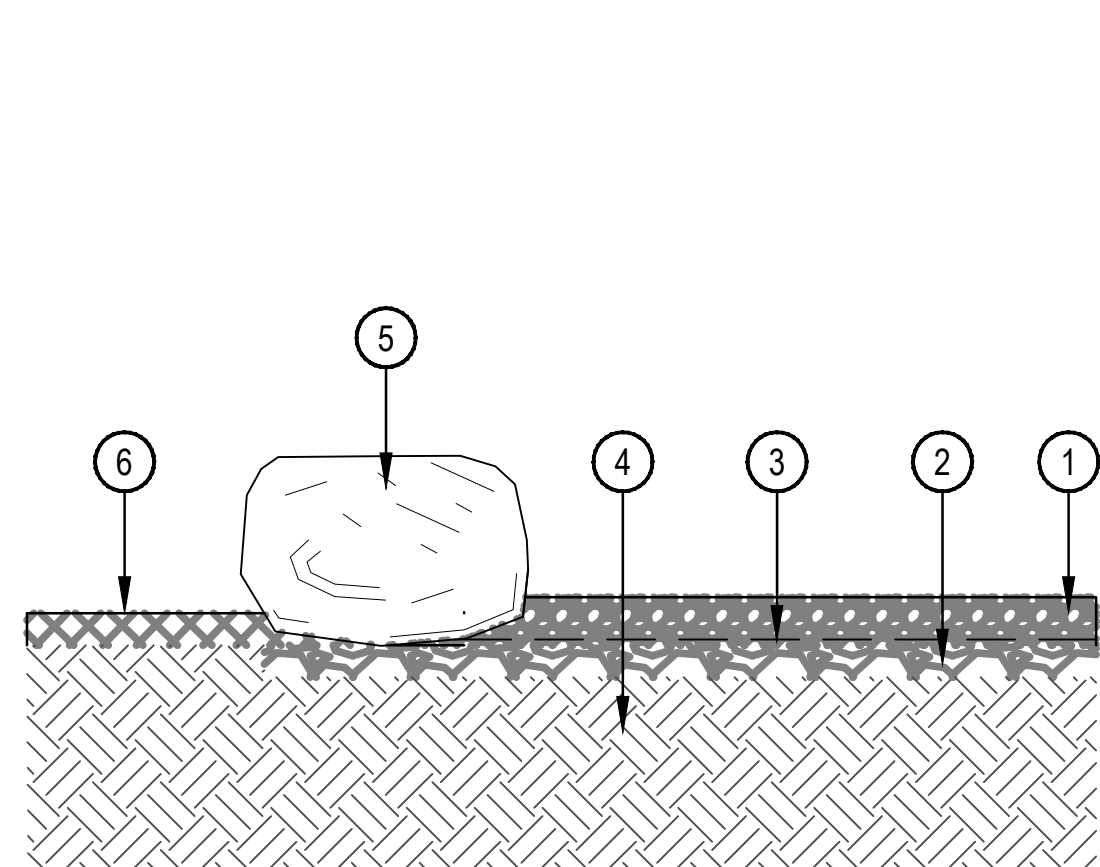
- ① VERTICAL "SLIP-FORMED" C.I.P. CONCRETE CURBING
- ② 4" MULCH TRAIL
- ③ LANDSCAPE FABRIC
- ④ COMPACTED SUBGRADE

NOTES:

1. CONCRETE EDGE SHOWN FOR MULCH TRAIL AND ADJACENT GRASS.
2. CONCRETE SUPPLIER TO VERIFY AND/OR SPECIFY SLIPFORM CONCRETE DETAIL.

2 VERTICAL SLIPFORM CURB

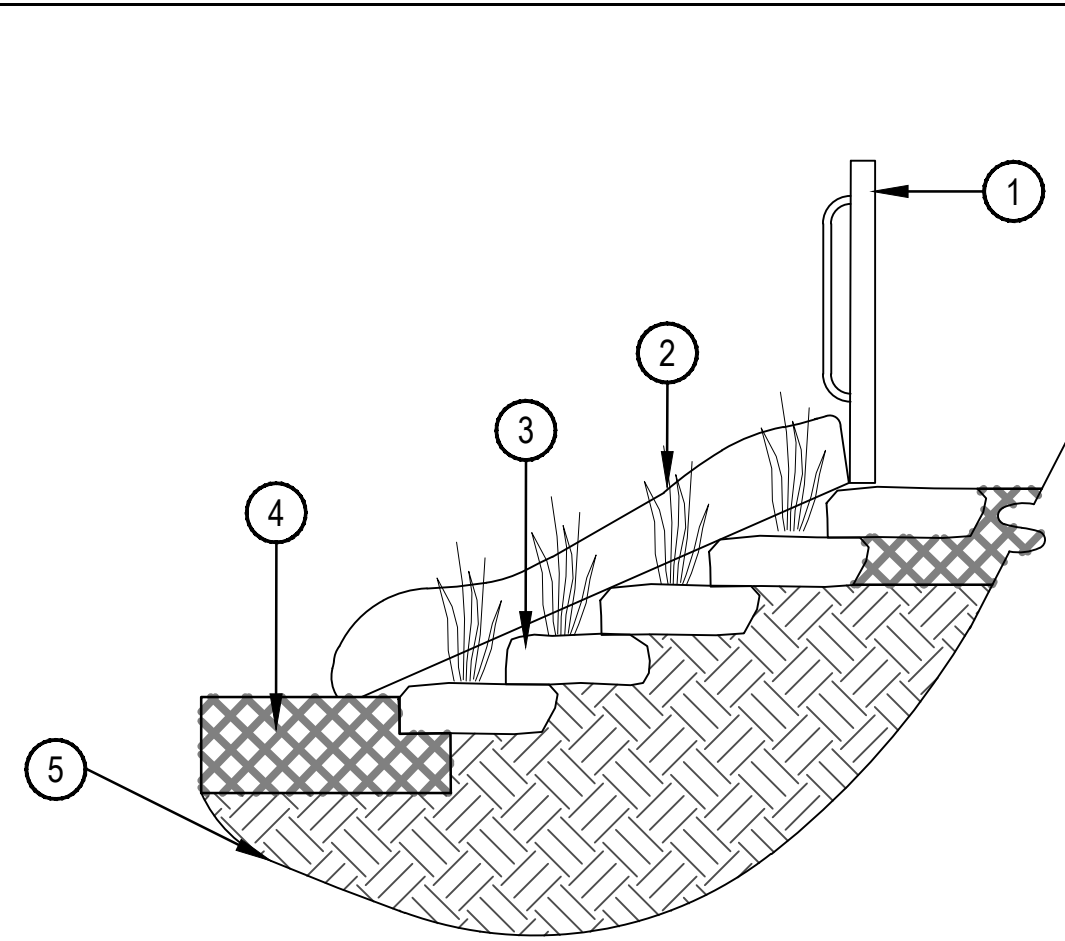
SCALE: 1" = 1'-0"



- ① 6" PEA GRAVEL DIGGING MEDIA
- ② 2" COMPACTED ABC
- ③ GEOTEXTILE FABRIC
- ④ COMPACTED SUBGRADE
- ⑤ 24-36" BOULDER SET BELOW FINISH GRADE
- ⑥ CRUSHER FINES OR MULCH

3 GRAVEL PLAY PIT WITH BOULDER EDGE

SCALE: 1/2" = 1'-0"



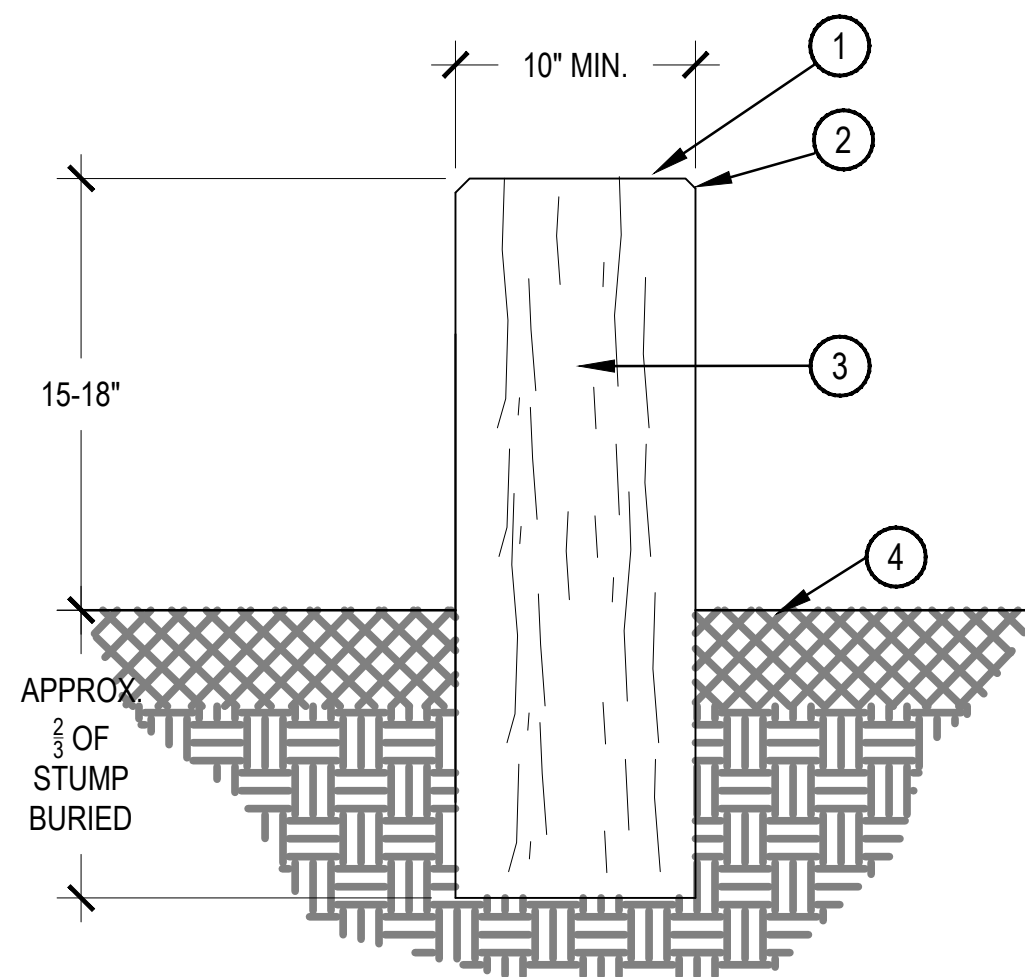
- ① 6" EMBANKMENT SLIDE, BEYOND
- ② GRASSES, BEYOND BOULDER STEPS
- ③ STACKED BOULDER STEPS
- ④ 12" PLAYGROUND MULCH
- ⑤ COMPACTED SUBGRADE

NOTES:

1. STONE STEPS SHALL BE 6" MAX FROM TOP OF STEP TO TOP OF STEP.

4 EMBANKMENT SLIDE-STACKED STEPS

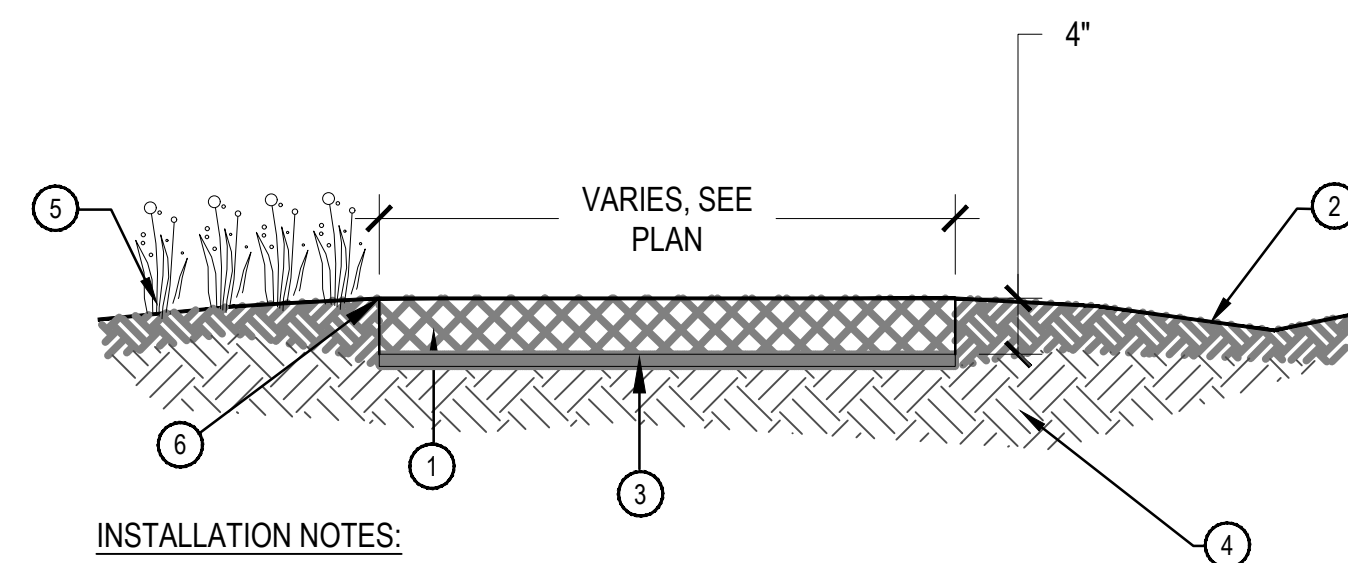
SCALE: 1/2" = 1'-0"



- ① NATURAL CEDAR OR OTHER HARD WOOD.
- ② CHAMFER EDGE
- ③ SAND TOP AND ALL SIDES OF SHARP POINTS OR ROUGHNESS. APPLY CLIMATE APPROPRIATE SEALANT.
- ④ SURFACING

5 LOG SEAT STUMP DETAIL

SCALE: 1-1/2" = 1'-0"

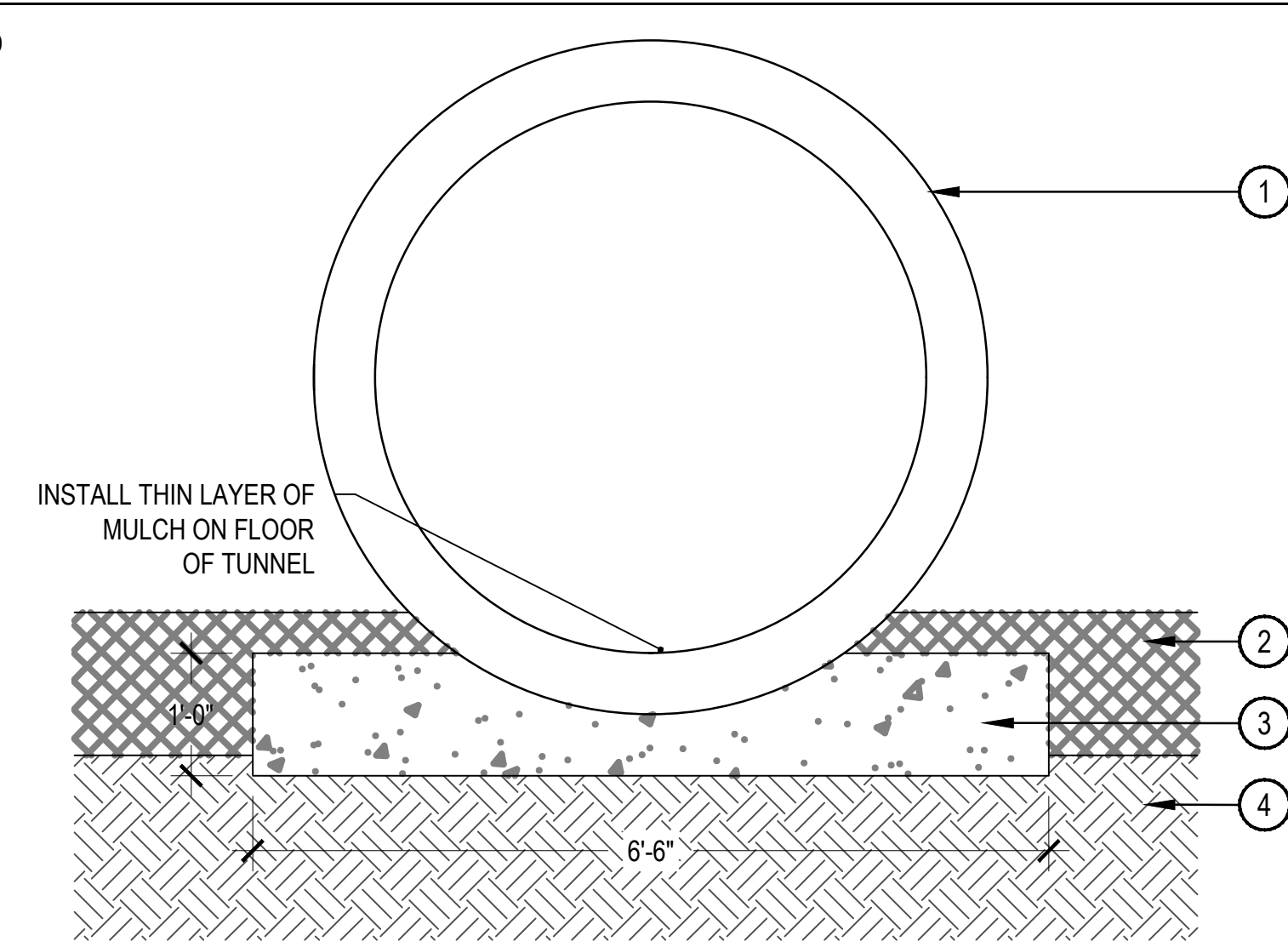


INSTALLATION NOTES:

1. LAY COMMERCIAL LANDSCAPE FABRIC.
2. SPREAD MULCH EVENLY, SMOOTH OVER HIGH OR LOW SPOTS.
3. CROSS-SLOPE TRAIL AT 1-2% WITH GRADE WHERE TOPOGRAPHY DICTATES.

6 MULCH DETAIL

SCALE: 3/4" = 1'-0"



- ① 54" CONCRETE TUNNEL
- ② ENGINEERED WOOD FIBER
- ③ CONCRETE
- ④ COMPACTED SUBGRADE

NOTES:

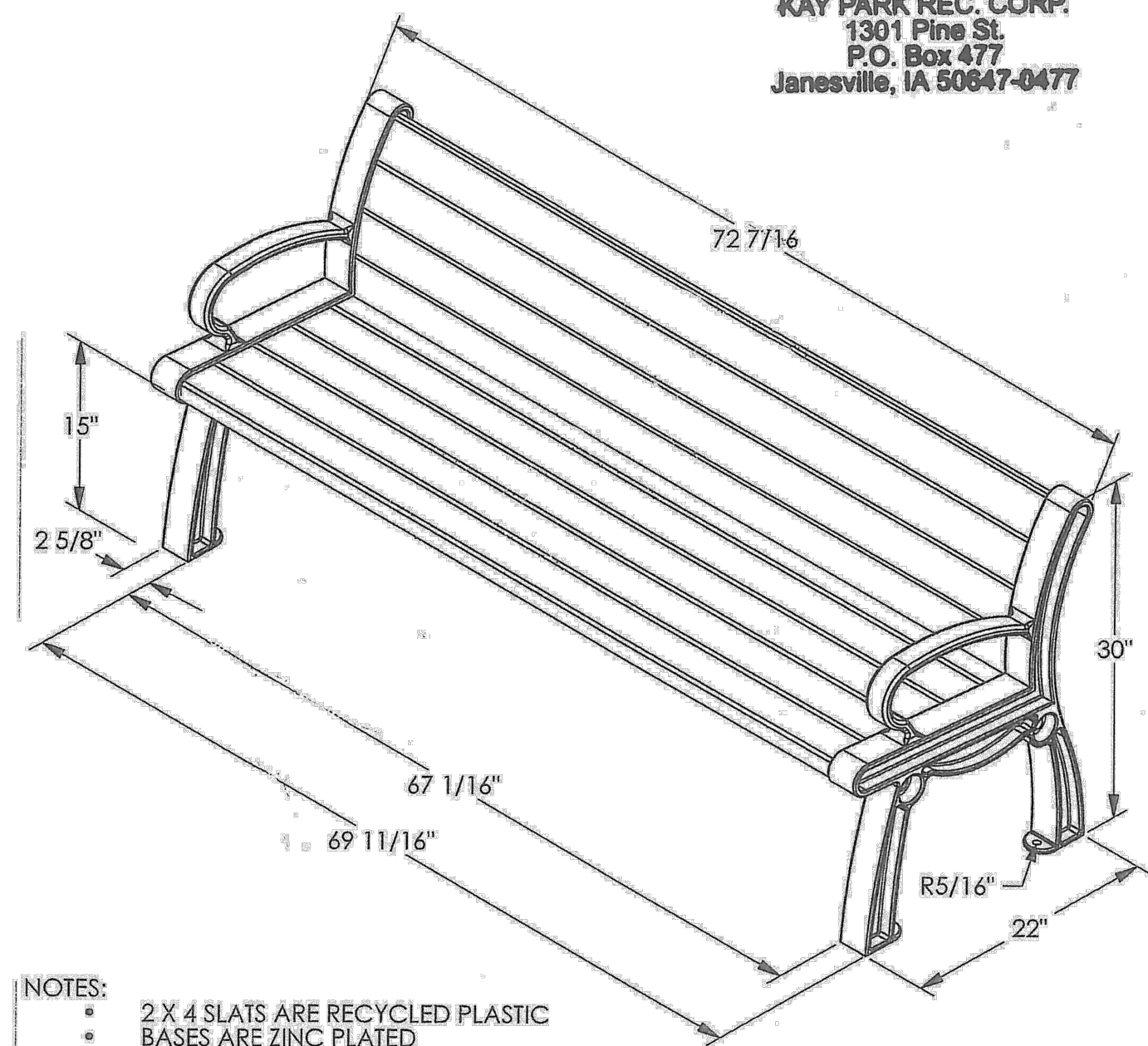
1. WET SET CONCRETE TUNNEL ON CONCRETE PAD. LET CONCRETE DRY COMPLETELY BEFORE COVERING WITH MULCH. REFER TO SITE PLAN FOR LAYOUT.

7 54" CONCRETE TUNNEL

SCALE: 3/4" = 1'-0"

REV.	DESCRIPTION	BY	DATE	CHECKED BY
A	RELEASE TO PRODUCTION	JWW	7/14/2006	JRS

KAY PARK REC. CORP.
1301 Pine St.
P.O. Box 477
Janesville, IA 50647-0477



- NOTES:
- 2 X 4 SLATS ARE RECYCLED PLASTIC
 - BASES ARE ZINC PLATED
 - ALL HOLES PRE-DRILLED AND
 - ALL HARDWARE IS ZINC PLATED
 - UNIT WEIGHT APPROX. 140 LBS.

UNLESS OTHERWISE SPECIFIED, DIMENSIONS ARE IN INCHES TOLERANCES: DECIMAL FRACTION OVERALL XXX.XX ±0.04 1205-309 XXX.X ±0.05 >1202-1	<table border="1"> <tr> <th>REV. NUMBER</th> <th>DATE</th> <th>BY</th> <th>CHECKED BY</th> </tr> <tr> <td>STANDARD</td> <td>7/12/06</td> <td>JWW</td> <td>JRS</td> </tr> </table>	REV. NUMBER	DATE	BY	CHECKED BY	STANDARD	7/12/06	JWW	JRS
REV. NUMBER	DATE	BY	CHECKED BY						
STANDARD	7/12/06	JWW	JRS						
DESCRIPTION	HERITAGE 6' BENCH								
ASSEMBLY NUMBER	JPAB6								
DRAWING NO.	PB 6								
CAD FILE	HER								
SHEET	SHEET 1 OF 1								
REV.	A								

8 HERITAGE 6' BENCH

DIMENSIONS				
HEIGHT	A	B	C	D E
3'	6"	24 1/2"	5 1/2"	PER LOCAL CODE
3 1/2'	6"	30 1/2"	5 1/2"	PER LOCAL CODE
4'	6"	36 1/2"	5 1/2"	PER LOCAL CODE
4 1/2'	6"	42 1/2"	5 1/2"	PER LOCAL CODE
5'	6"	48 1/2"	5 1/2"	PER LOCAL CODE
6'	6"	60 1/2"	5 1/2"	PER LOCAL CODE

ULTRA FENCING RAILING	
UAF-200 FLAT TOP RESIDENTIAL SPECIFICATIONS	
POSTS:	2" x 2" x 0.60" WALL 2" x 2" x 0.80" WALL 2" x 2" x 1.25" WALL 3 1/2" x 3 1/2" x 1.00" WALL
HORIZONTAL RAILS:	1 1/8" W x 1" H
SIDE WALLS:	0.80"
TOP WALLS:	0.80"
PICKETS:	5/8" x 5/8" x 0.50" WALL
PICKET SPACING:	3 1/2" BETWEEN PICKETS

9 UAF-200 FLAT TOP RESIDENTIAL SERIES FENCING